



# W-Dimmer

## (Warm Glow Dimming Solution)

With our Brownie's CCT Tunable LED V-Tune-X and 0(1)-10V System or 1-10V Rotary dimmer, W-Dimmer enables glow dimming in accordance with just 1-single input with pre-programmed PWM dimming setting.

### SPECIFICATION

Input Voltage	12Vdc~24Vdc
Input Signal	0-10V / 1-10V analog
Maximum Load Current	6A (@25°C)
Operating Temperature	0°C~+45°C
Storage Temperature	-20°C~+50°C
Casing Dimension	74mm x 40mm x 17mm (H)
No of Channel	Two channel
Weight	80 grams

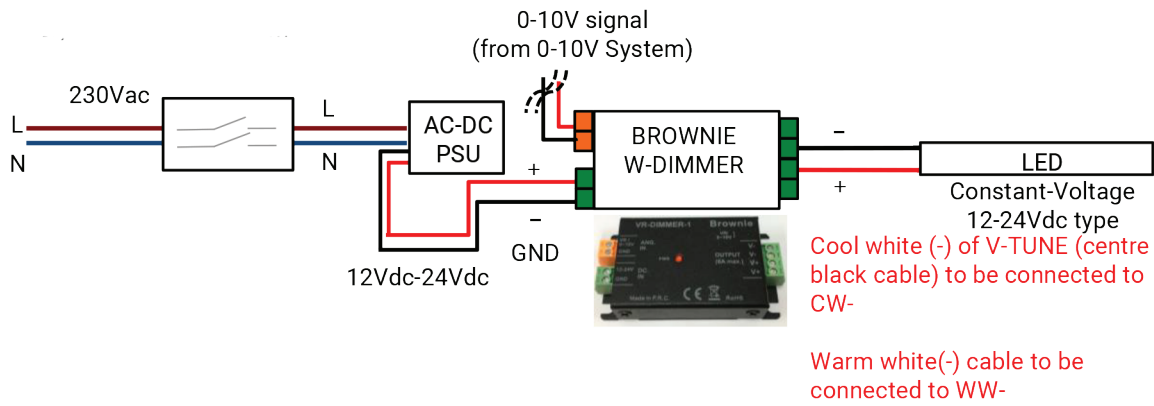


As dimmed down, colour temperature gets lower (= warmer colour)

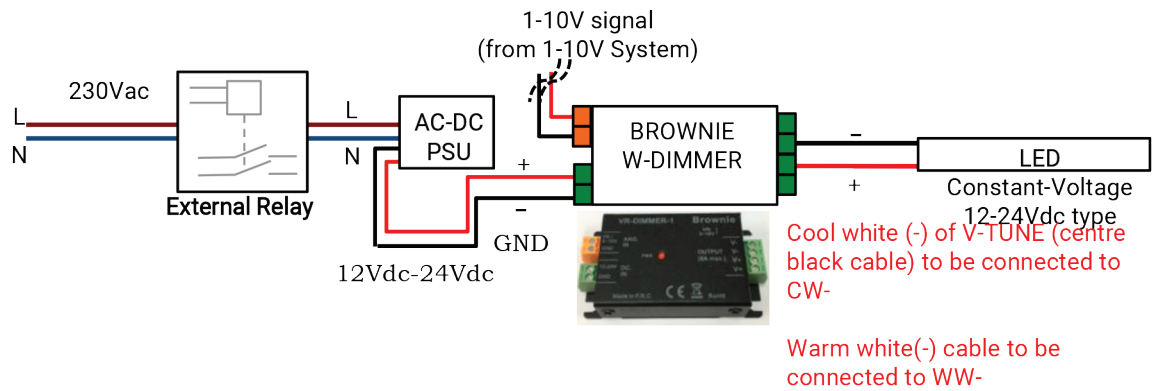
NOTE: Brightness percentage and CCT may vary depending on individual system of 0-10V / or 1-10V

## WIRING DIAGRAM

### 1 Under 0-10V System



### 2 Under 1-10V System



### Caution

1. Do not place the W-Dimmer directly on top of AC-DC power supply unit or any other high-temperature equipment.
2. Make sure polarity (+ & -) and input/output wiring is correct before switching on power.  
(Continuous switching on with reverse polarity, short-circuit or overcurrent could cause damage on components.)
3. Make sure all the connector terminals are firmly inserted into the body of V-Dimmer.
4. Maximum load must not exceed rated current of 6A.